



PVC & CPVC THERMOPLASTIC CUSTOM FABRICATION

FAB-2-0821

Manifolds • Custom Fittings Offset Connectors



Custom Component Fabrication For Virtually Any Piping System Need! Spears® has the capability to build custom piping system components to virtually any specifications for either pressure or non-pressure applications. Spears® experience in piping system component fabrication provides the highest quality and technology available for a variety of industry needs including Agriculture, Turf Irrigation, Water Parks, Aquariums, Pulp & Paper, Industrial and Chemical Processing.

Up to 24" Nominal Diameter Fabrication

Spears® forming capabilities can handle some of the largest thermoplastic piping component custom fabrication needs.

Pressure & Non-Pressure Applications

Produced primarily from thermoplastic pipe and piping system components, custom products can be fabricated for a variety of pressure applications based on design criteria and material selection from a variety of Schedule, Class and SDR ratings.

Superior FRP Bonding Technology

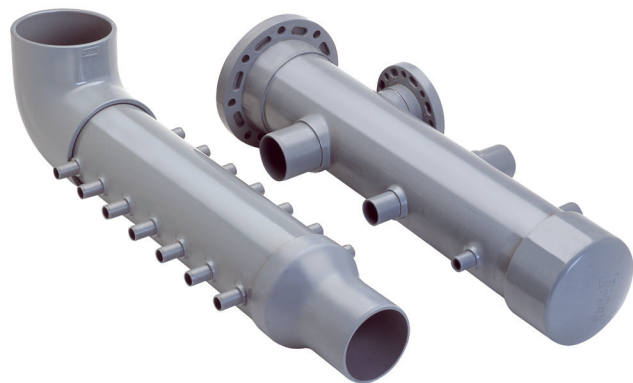
Spears® research in Fiberglass Reinforced Plastic (FRP) technology has developed superior bonding of fiberglass resin to PVC and CPVC thermoplastic materials. This eliminates weaker, "egg shell" reinforcement typical in many competitor FRP products.

High Quality Joining & Welding

From basic solvent cement welding to precision Hot-Air welds, Spears® controlled quality fabrication gives the highest assurance of sound, reliable construction.

Multi-Outlet Manifolding

Spears® specializes in multi-outlet manifolds built to specifications for a wide variety of inlet, outlet and reductions in socket, flanged, or threaded connections.



Visit our website:
www.spearsmfg.com



PROGRESSIVE PRODUCTS FROM SPEARS® INNOVATION & TECHNOLOGY

Easy Custom Fabricated Quote Process

Quoting a custom fabricated product has never been easier.

Custom Fitting

Contact your local Spears® Distributor to obtain and complete a simple questionnaire that includes questions such as:

- Size
- Material/Pressure rating
- Part configuration
- Quantity
- Special requirements

Quote Submission:

Submit the completed questionnaire to a Spears® distributor for a quote.

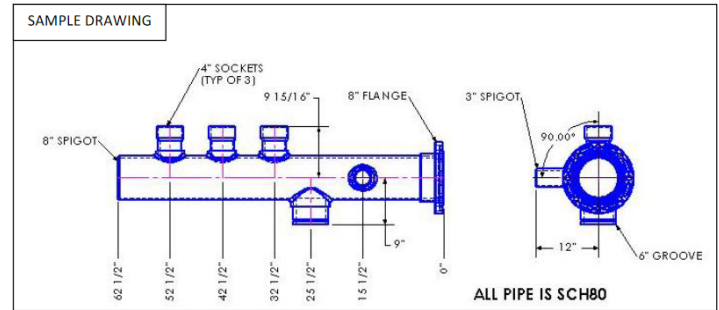
Spears® will review the submitted information and provide an approval drawing with accurate dimensions and tolerances for customer approval.

Upon customer approval of the Spears® approval drawing, an approval drawing signature and date is required to start the fabrication process.

Custom Manifold

Contact your local Spears® Distributor and provide a dimensional drawing with the following information:

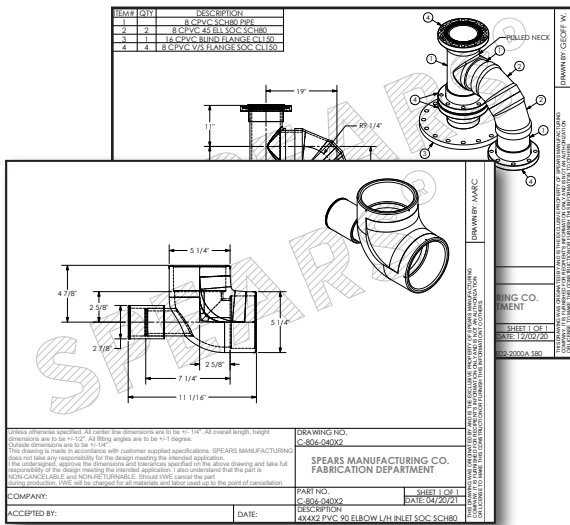
- Manifold end-to-end dimensions
- Manifold end-to-centerline of branch & each outlet
- Preferred end connections for run/branches
- Manifold maximum pressure rating & temperature
- Other accessories desired (valves, strainers, etc.)



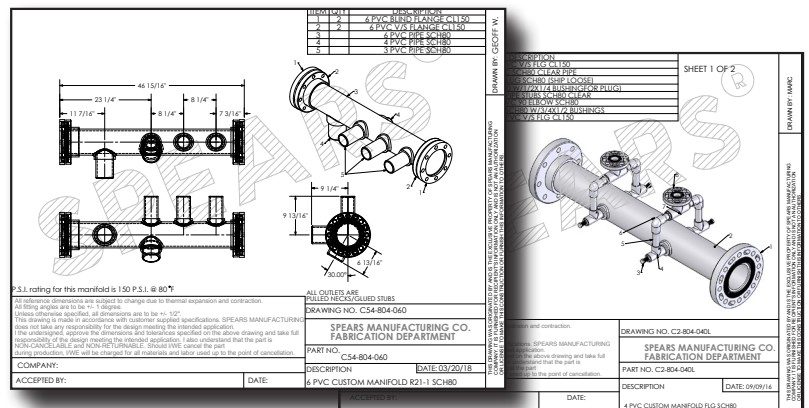
Quote Submission:

Once the information has been submitted to a Spears® distributor for quote, Spears® will review the submitted information and provide an approval drawing with accurate dimensions and tolerances for customer approval.

Upon customer approval of the Spears® approval drawing, an approval drawing signature and date is required to start the fabrication process.



Fitting Approval Drawing Examples



Manifold Approval Drawing Examples

Benefits provided by Spears® Manufacturing Company

- Solvent Cemented Joints are guaranteed by Spears® Manufacturing Company.
- Product is fabricated as compact as possible preserving high value space.
- Product is fabricated in a controlled environment under roof ensuring build quality.
- Product is packaged and palletized to protect custom products from shipping damage.
- Spears® Fabrication Service provides our customers the peace of mind that the job will be done right.



SPEARS® MANUFACTURING COMPANY
 15853 Olden St., Sylmar, CA 91342 • PO Box 9203, Sylmar, CA 91392
 (818) 364-1611 • www.spearsmfg.com

