



FlameGuard® GripLoc™ Couplings & Repair Couplings



FlameGuard® GripLoc™
Coupling
Sizes 3/4" & 1"



FlameGuard® GripLoc™
Expansion Joint & Repair Coupling
Size 1"

Solutions for Fire Sprinkler Systems...



NSF® Certified
Lead-Free

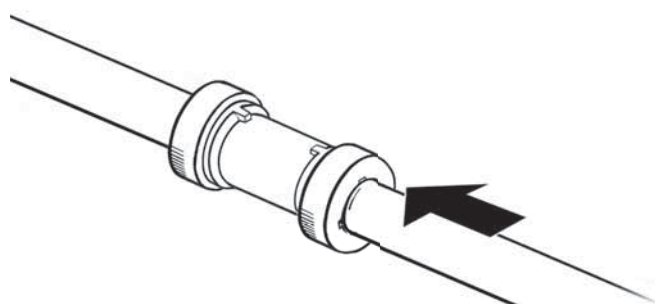
Permanent Leak-Free Connections
Excellent for Quick Repairs
& System Extensions



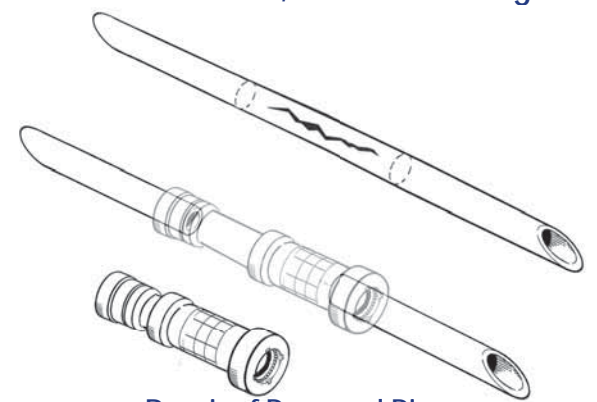
APPROVED

Uses NO Solvent Cement - Eliminates System Downtime!

- ✓ Stainless Steel Gripper Ring Permanently Holds Pipe Joint in Place
- ✓ Internal High Grade EPDM O-ring Seals Provides Permanent, Reliable Sealing



Extension of Existing System.
(No Thrust Blocking Required)



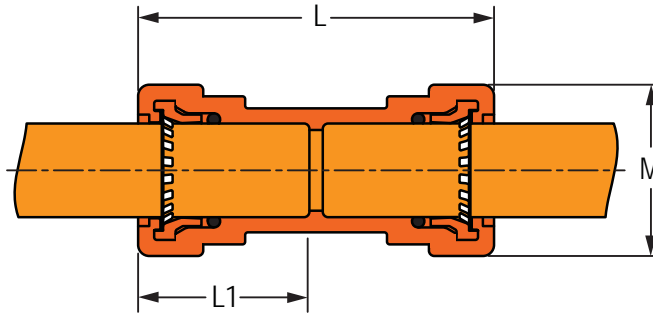
Repair of Damaged Pipe.
(Repair Coupling Must be Thrust Blocked)

Progressive Products From Spears® Innovation & Technology

GripLoc™ FlameGuard® CPVC Couplings - LEAD FREE

EPDM O-ring

Pressure Rating
175 PSI @ 150 °F



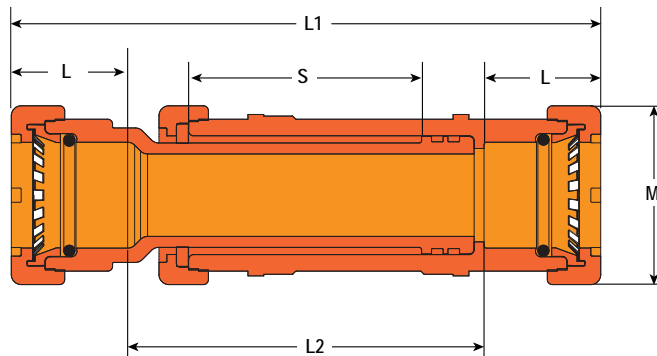
Part Number	Size	L	L1	M	Approx. Wt. (Lbs.)
GL4229-007	3/4	4	1-9/16	1-5/16	.26
GL4229-010	1	4-1/8	1-15/16	2-1/4	.35

WARNING: DO NOT INSERT FINGERS

GripLoc™ FlameGuard® CPVC Repair Couplings - LEAD FREE

EPDM O-ring

Pressure Rating
175 PSI @ 150 °F



Part Number	Size	L	L1	L2	M	S	Approx. Wt. (Lbs.)
SG118-10CO	1	1-17/32	7-17/32	4-1/4	2-1/4	2-27/32	.73

WARNING: DO NOT INSERT FINGERS

ENSURE THAT PIPE AND FITTINGS ARE FREE OF DIRT AND DEBRIS PRIOR TO INSTALLATION.



SPEARS® MANUFACTURING COMPANY
CORPORATE OFFICE

15853 Olden St., Sylmar, CA 91342 • PO Box 9203, Sylmar, CA 91392
(818) 364-1611 • www.spearsmfg.com

